

M1SECM

Mortice, fail secure monitored electric release



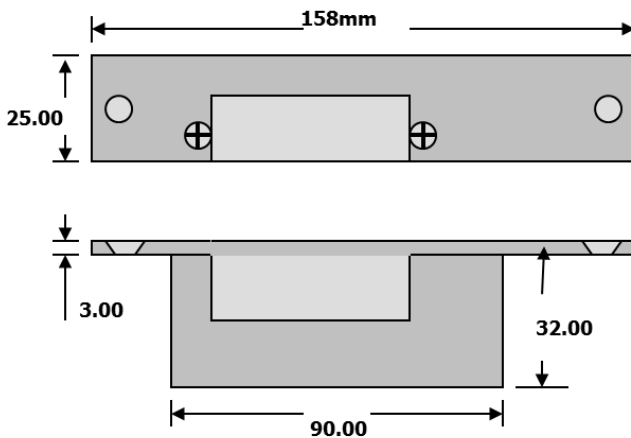
Euro style electric release with monitoring, supplied with long face plate. This fail secure version is suitable for use with ac current only. Recommended for low security internal use.

Features

- Fail secure
- Mortice installation
- Fixed jaw
- Monitored
- Rim option available on request

Technical Information

- 12Vac (intermittent use only)
- Fail secure (= Apply power to unlock)
- Monitoring contacts (COM/NO/NC)



Related Products

