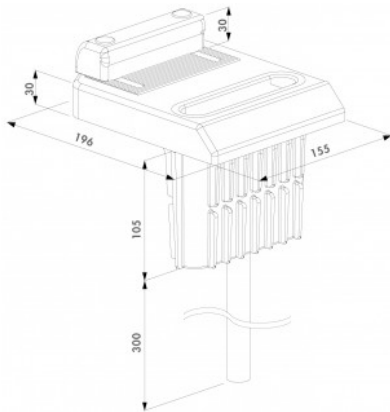


LOCINOX-OGS



STRONG GROUNDSTOP FOR DOUBLE WINGS FOR ELECTRADROP

Locinox OGS off-centered ground stop drop bolt socket

FEATURES

Strong ground stop for double wings. The OGS has a removable recipient for easy and fast cleaning of the ground stop.

TECHNICAL INFORMATION

- Glass fiber reinforced polyethylene
- Suitable for surface mounted drop bolts (VSF - VSA - Electradrop - Keydrop)
- Adjustable stop plate for 40 mm till 60 mm gate frames
- Removable polyamide cleaning recipient
- With water evacuation hose