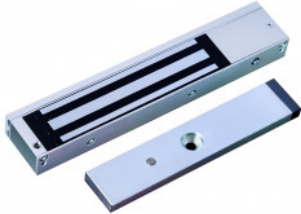


EM07DS

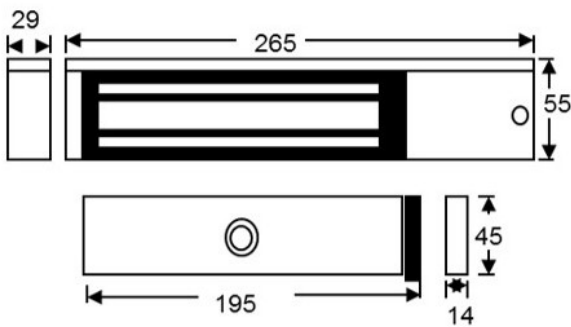


MIDI MONITORED SINGLE MAGLOCK WITH DOOR STATUS MONITORING

Up to 364kg holding force for indoor applications. Monitoring provides LED lock status indication and relay contacts for signalling. This model includes door status monitoring contacts to monitor the door position.

FEATURES

- MOV provides spike and surge protection
- Fail-safe operation (power to lock)
- Anti-residual magnetism protection
- Top-plate, armature-plate and fixings included
- Dual voltage, 12Vdc or 24Vdc (selectable)
- Surface mount
- Silver anodized aluminium finish
- Door status monitoring



TECHNICAL INFORMATION

- Holding force: up to 364kg (800lb)
- Current draw = 500mA @ 12Vdc / 250mA @ 24Vdc
- Voltage tolerance: +/- 15%
- Operating temp: -10°C to +55°C
- Humidity: 0-95% non condensating
- Weight: 3kg approx.
- Relay: COM/NO/NC (1A@24Vdc)
- Reed switch door contact

RELATED PRODUCTS



DG500



EM08DS



EM850ZL



SPB002S-ILLUM