

G10001DS



GIANNI SLIM UNMONITORED MAGLOCK WITH DOOR STATUS

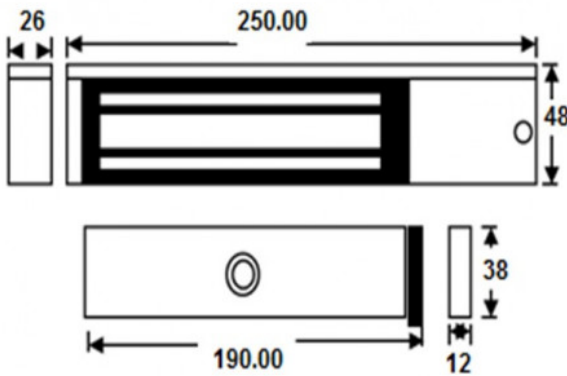
Slim single unmonitored magnetic lock. Its compact design makes it ideal for most indoor applications where 275kg holding force is sufficient. This model includes door status monitoring contacts to monitor the door position (open or closed).

FEATURES

- Gianni slim unmonitored maglock with door status

TECHNICAL INFORMATION

- Slim single unmonitored magnetic lock.
- Its compact design makes it ideal for most indoor applications where 275kg holding force is sufficient.
- This model includes door status monitoring contacts to monitor the door position (open or closed).



RELATED PRODUCTS

