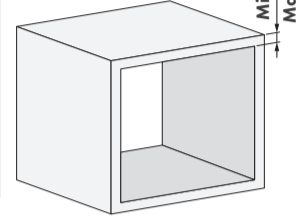


THE PRE-MOUNTED QUICK-FIX IS DESIGNED FOR WALL THICKNESSES OF 0.083" UP TO 0.190"

FOR THICKNESSES FROM 0.200" UP TO 0.313", REPLACE THE PRE-MOUNTED QUICK-FIX BY THOSE IN THE QFIXSET-USA-3 BAG. SEE STEP 6 TO DISASSEMBLE THE QUICK-FIX



LOCINOX USA



LIVE CHAT

www.locinoxusa.com



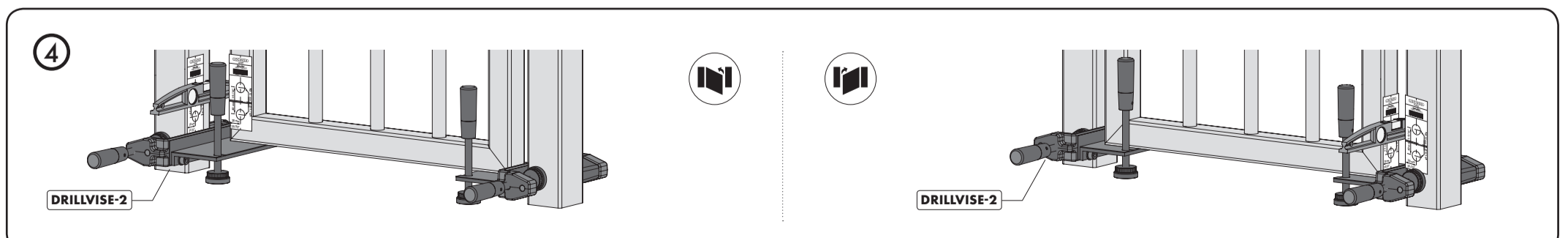
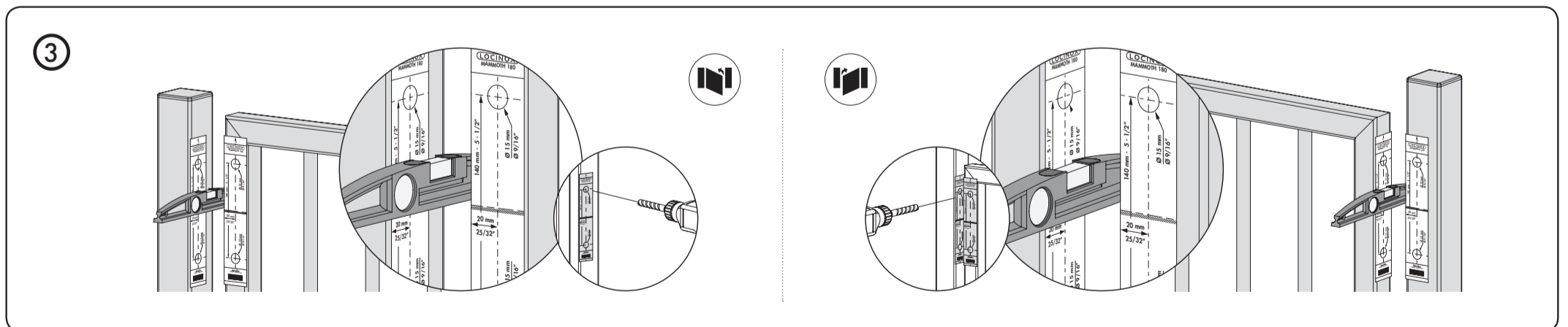
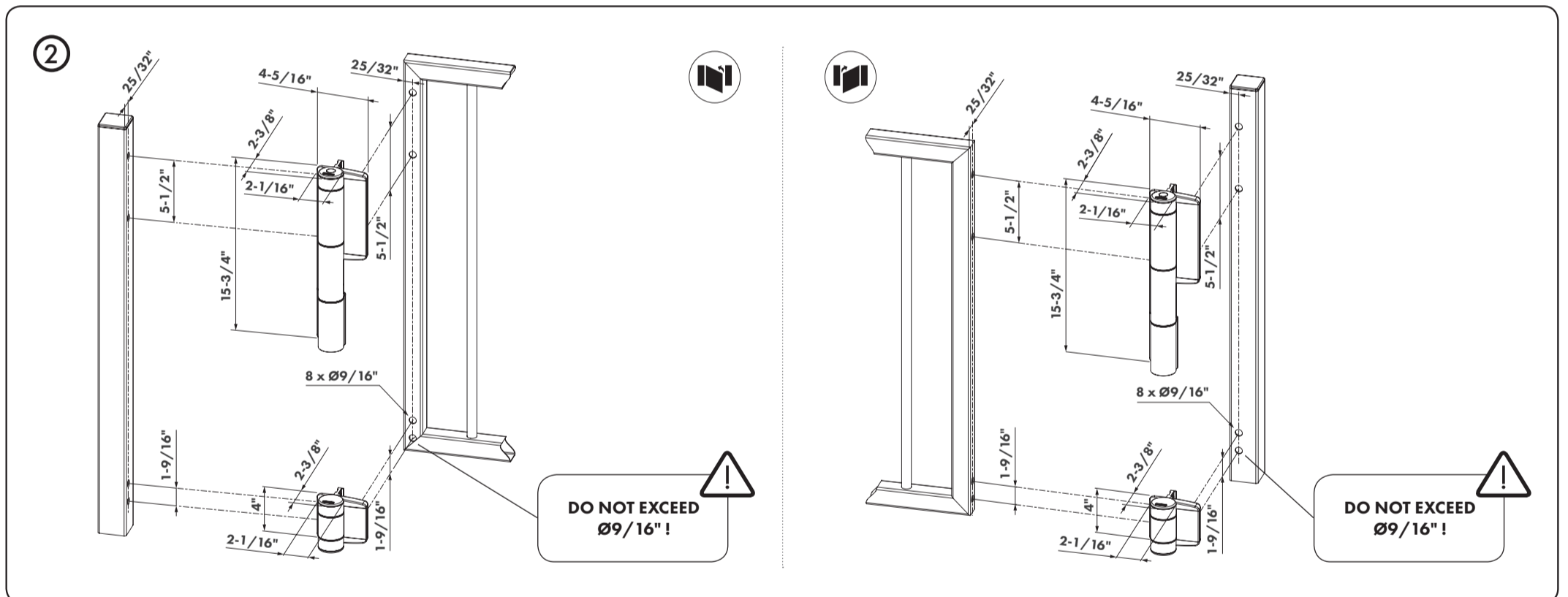
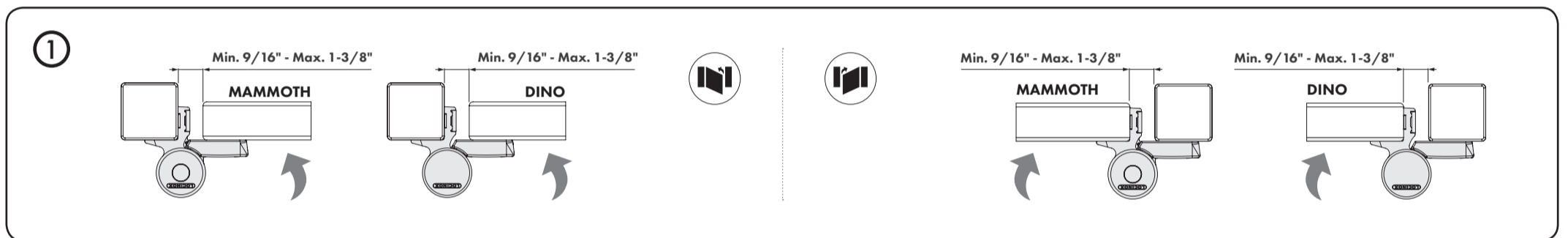
877-LOCINOX



helpusa@locinox.com

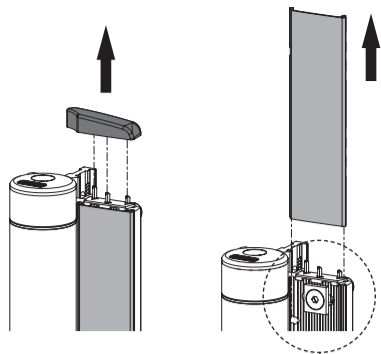


www.locinoxusa.com/mammoth

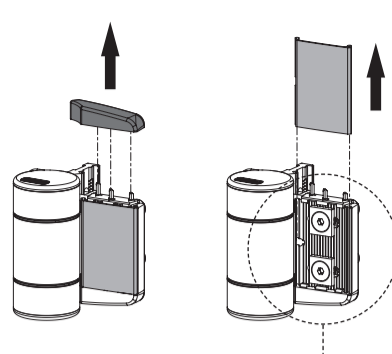


5

MAMMOTH



DINO

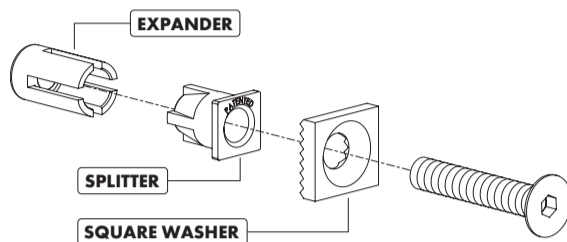


REMOVE THE COVER CAPS FIRST TO REPLACE THE QUICK-FIX IF REQUIRED

6



ONLY FOR WALL THICKNESSES FROM 0.200" UP TO 0.313". REPLACE THE PRE-MOUNTED QUICK-FIX BY THOSE IN THE QFIXSET-USA-3 BAG

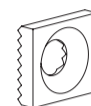


1

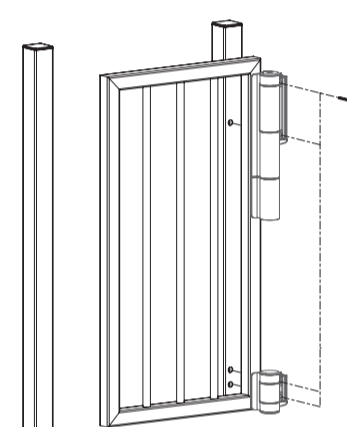
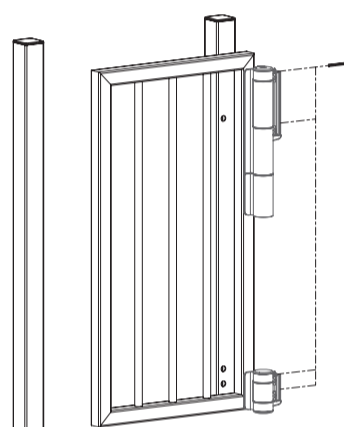
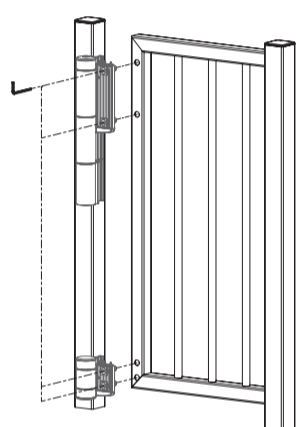
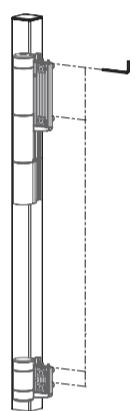
REMOVE EXISTING QUICK-FIX WHERE NEEDED. DISCARD EXPANDER, SPLITTER, BOLT (KEEP WASHER!)

2

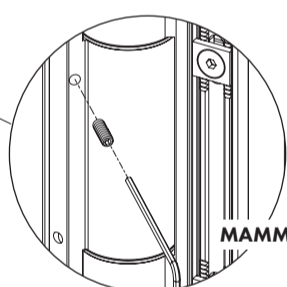
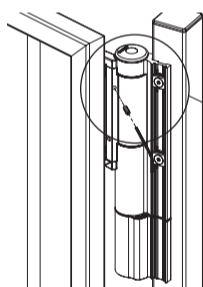
REPLACE WITH QFIXSET-USA-3 AND REUSE THE SQUARE WASHER



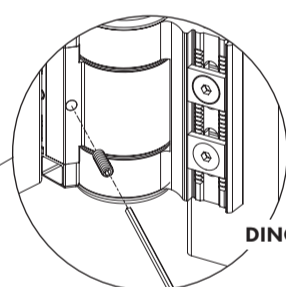
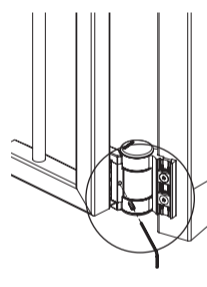
7



8



MAMMOTH

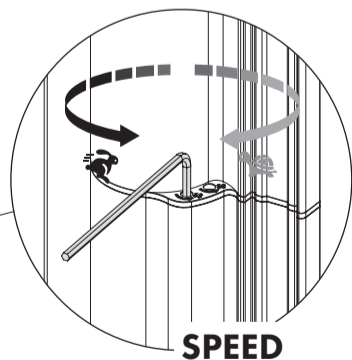
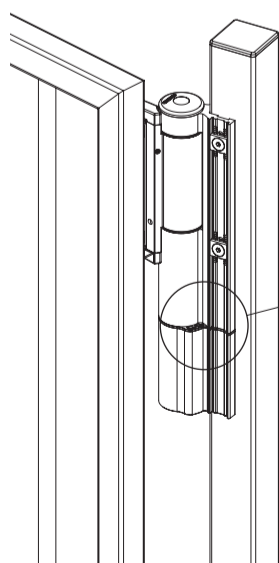


DINO

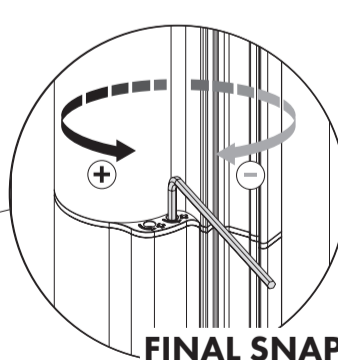
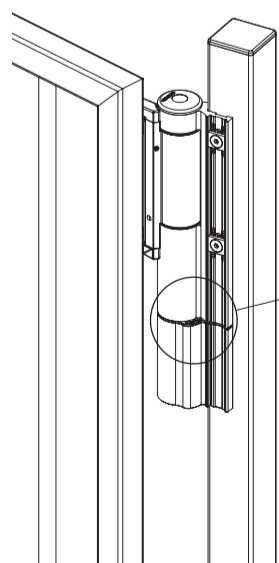


RE-INSTALL THE COVER CAPS AND LOCK THE QUICK-FIX COVER WITH SET SCREW

9



SPEED



FINAL SNAP



pictures@locinox.com

SUCCESSFUL INSTALLATION?
Please send us your pictures & videos

INSTALACION EXITOSA?
Por favor envíenos sus fotos y videos

LOCINOX
Let's make it better together

Doc. Nr.: MANU-000422

Locinox USA • 460 Windy Point Drive • Glendale Heights • IL 60139
Tel. 877-LOCINOX • E-mail: salesusa@locinox.com

