



**FOTA – Upgrade firmware via SMS.**



Auto clock sync.



Store up to 4 notification phone numbers to receive an SMS (customizable) when relay is triggered etc



Ability to check Do-not-disturb times.



Set automatic gate open & close times.



Trigger, latch and unlatch SMS replies added. Ability to disable.



**NEW AES PRO APP, user friendly. With Installer and homeowner capabilities.**



Add up to 250 time restricted tags or cards by app!

Add up to 250 cards or tags to intercom remotely by SMS or app!



**4G**



High gain antenna as standard! Ability to view APN on signal level reply.



2x Relays. Ability to check Automatic Relay Times.

All new **improved** hardware.



Issue time restricted codes.

**CELLCOM PRIME7**

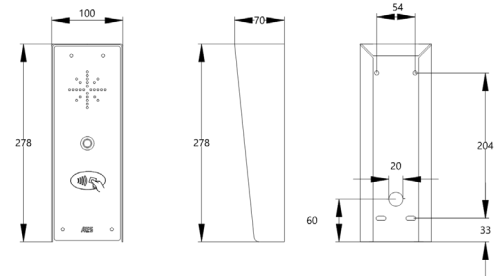
		Technical Details	
Dial Out Numbers	4	Relays	2
Permanent Codes/cards	250	Relay Type	N/C and N/O
Time Restricted Codes/cards	250	Relay Load	2 amps, 24v ac max
Temporary Codes/cards	50	Power Consumption	300mA on dial out, 2amp peak demand
Automatic Trigger Events per Week	50	Modem Models	4G Europe, 4G USA, 4G AUS/NZ
Caller ID Numbers	250	Power Supply	24v dc (24v dc 2A adaptor included)
Time Restricted Caller ID Numbers	250	Tag/Card Type	125kHz fixed digit code card, passive type





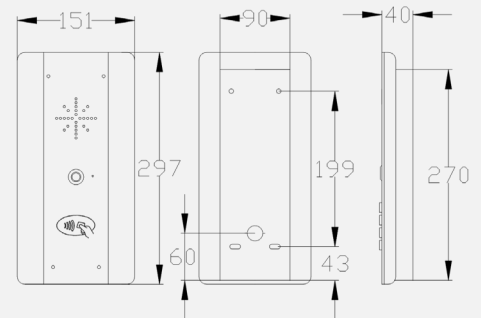
**Area code:**  
**EU** (Europe)  
**US** (USA)  
**AU** (Australia & NZ)

## Non Keypad Prox Panels



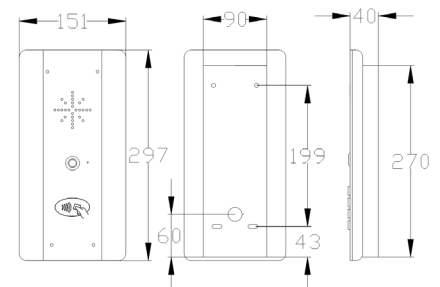
### PRIME7-IBP-EU (Europe)

Stylish all black panel with textured powder coated aluminium hood and gloss black acrylic facia trim over a tough metal back plate. Complete with white illuminated push button and integrated Prox reader. Kits complete with 3 proximity cards with additional cards available to purchase.



### PRIME7-ABP-EU (Europe)

Stylish curved architectural model. Constructed from BS316 marine grade stainless steel and finished with gloss black acrylic trim. Complete with blue illuminated push button and integrated Prox reader. Kits complete with 3 proximity cards with additional cards available to purchase.



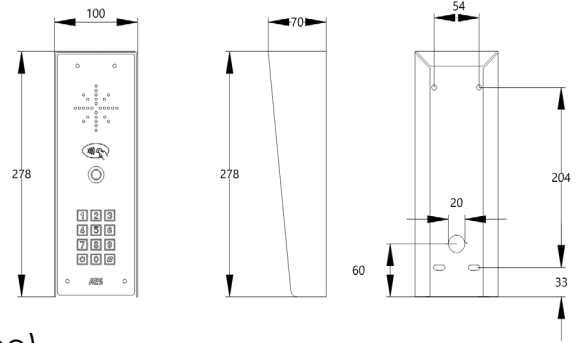
### PRIME7-ASP-EU (Europe)

Stylish curved architectural model. Constructed from BS316 marine grade stainless steel. Complete with white illuminated push button and integrated Prox reader. Kits complete with 3 proximity cards with additional cards available to purchase.



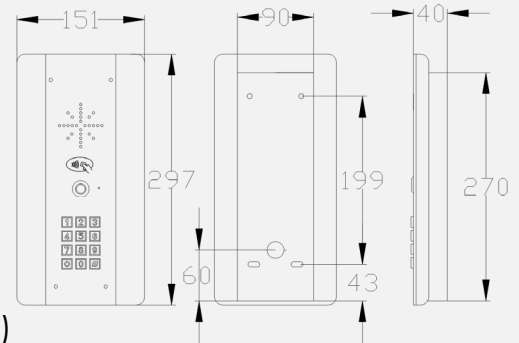
**Area code:**  
**EU** (Europe)  
**US** (USA)  
**AU** (Australia & NZ)

## Keypad Prox Panels



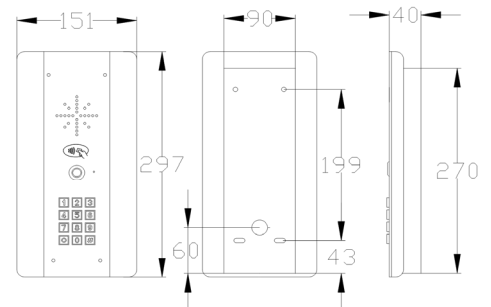
### PRIME7-IBPK-EU (Europe)

Ultra stylish all black panel with textured powder coated aluminium hood and gloss black acrylic facia trim over a tough metal back plate. Complete with white illuminated push button, keypad and integrated Prox reader. Kits complete with 3 proximity cards with additional cards available to purchase.



### PRIME7-ABPK-EU (Europe)

Stylish curved architectural model. Constructed from BS316 marine grade stainless steel and finished with gloss black acrylic trim. Complete with blue illuminated push button, keypad and integrated Prox reader. Kits complete with 3 proximity cards with additional cards available to purchase.

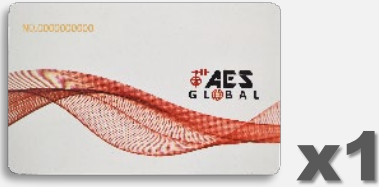


### PRIME7-ASPK-EU (Europe)

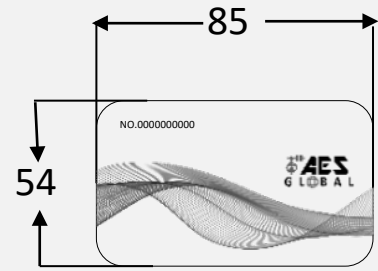
Stylish curved architectural model. Constructed from BS316 marine grade stainless steel. Complete with white illuminated push button, keypad and integrated Prox reader. Kits complete with 3 proximity cards with additional cards available to purchase.



PROXCARD-125K-AES



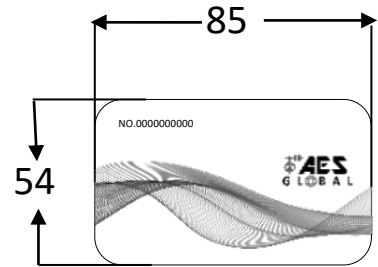
Single Proximity Card  
-125KHz fixed 10 digit code Card.  
-Add to intercom remotely by SMS text or APP.



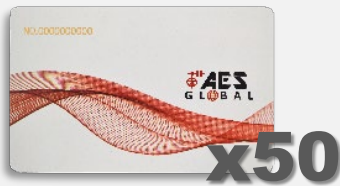
PROXCARD-125K-AES-10PK



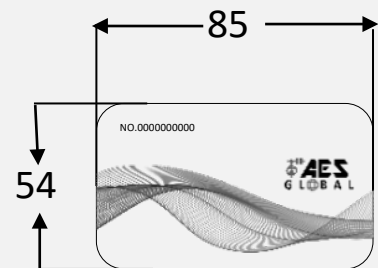
10 Pack Proximity Card  
-125KHz fixed 10 digit code Card.  
-Add to intercom remotely by SMS text or APP.



PROXCARD-125K-AES-50PK



50 Pack Proximity Card  
-125KHz fixed 10 digit code Card.  
-Add to intercom remotely by SMS text or APP



AES-PROX-TAG

AES branded Prox Tags.  
-125KHz fixed 10 digit code TAG.  
-Available in packs of 10, 25, 50, 100

